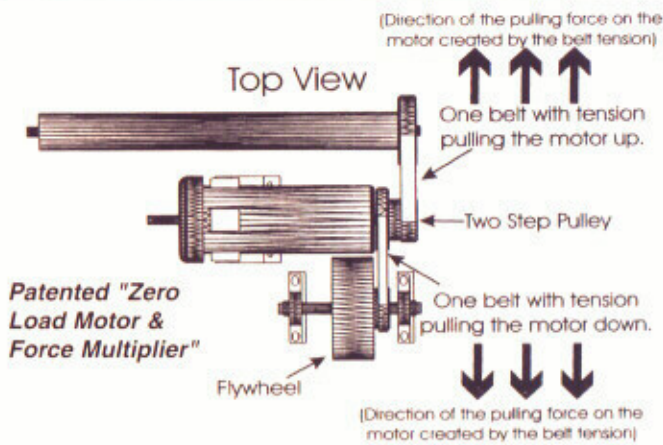


BETTER ENGINEERING



Patented "Zero Load Motor & Force Multiplier"

1 Patented Zero Load Motor uses two step pulley with "OFF SET" counter balanced pull... NO OVERHANG LOAD PROBLEMS from side load flywheel. Bearings last longer, motors run cooler and quieter with **///SUPER TUFF///**.

2 Patented Force Multiplier, uses "Geared Up" flywheel mounted on dedicated "front mount" bearing housings, improves motor life, provides smooth constant speed under all load sizes, reduces peak power needs.

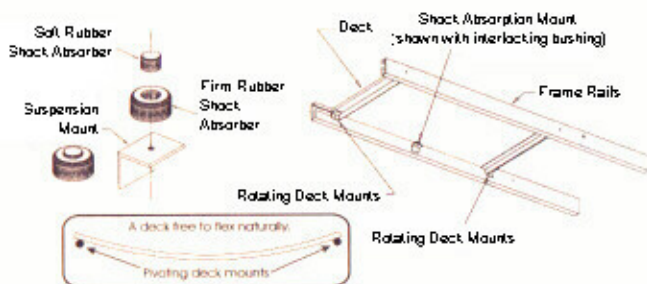
3 Patented Six Point Elevation System utilizes a combination lift motor and hydraulic piston elevation system totaling 1450# of thrust, more stable, more durable, maintenance free.

GREATER COMFORT

4 NSR - "NATURAL STRIDE RESPONSE" System, With Integrated FORCE MULTIPLIER... Running Belt offers smoother feel and constant speed under ALL LOADS and running styles, FEELS MORE NATURAL TO RUNNERS...ZERO HESITATION!!!

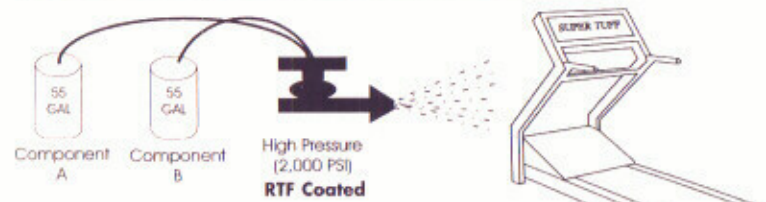
5 Patented NEW SHOCK ABSORPTION SYSTEMS WITH TWO STAGE SHOCK ABSORPTION WITH DUAL LATERAL DAMPENERS. Suspension Mounted "Custom" Shock Absorption based on users weight and stride...An Amazingly Comfortable Feel.

6 DUAL PIVOT DECK MOUNTS FRONT & REAR. Deck is free to flex "NATURALLY"...WITH NO SIDE TO SIDE SLIPPAGE!!!



Patented Shock Absorption System Promotes "Natural" Flex, Stride & Movement SUPPORTING The Runner

SUPERIOR DURABILITY



7 Frame Coated In RFT Polyurea Elastomer applied at 2000 PSI fuses coating to frame. 4 times more durable than truck bed liner coating, vastly superior to powder coating or painted finishes WILL NOT scratch or chip, PREVENTS rust and corrosion.

8 Running Deck is built with 11 LAYERS of Ultra Dense Russian Birch Wood. With Self Lubricating Resin Coat System (Vastly superior compared to traditional waxed decks with ultra low friction coefficient...deck and belt last considerably longer compared to other systems)...field tested with users over 600lbs!!!

9 Steel Hood (not plastic), Bullet Proof Polycarbonate Display, Twin Fan Cyclonic Cooling System Keeps Electronics and Motor Running 65% Cooler... Cooler Components Last 2 to 3 Times Longer (Or More)... "Super Cool"... "Super Durable".

Why SUPER TUFF?



SAFER AND MORE FUNCTIONAL

10 Patented "FLIP UP HAND RAILS", use zero, one or two rails, Vastly Better For Full Stride Runners (hands don't hit rails)...Easier to use with Hand Weights or Dumbbells. PERFECT FOR THE **///SUPER TUFF///** FULL BODY "TOTAL TONING" WORKOUT.

11 STEEL BELT GUARDS PROTECT BELT AND RUNNERS FEET, minimizes trip or hand hazard... Superior durability to plastic, also extends belt life.

12 SAFETY ACCESS CODE OPTION IDEAL FOR UNSUPERVISED SETTINGS plus safety key bolted to steel frame....safe for user and prevents loss or theft of key.

